



Shenzhen Flourish Electronics Co., LTD

(C) D- C



SPECIFICATION FOR APPROVAL

CUSTOMER _____

PART NO _____

DESCRIPTION

6-7

FRX P/N

6-7

DATE _____

Huizhou Jingqin Electronic Components Co., Ltd		
Made By	Checked By	Approval By

Customer Approval		
Prepared By	Checked By	Approval By

Shenzhen Flourish Electronics Co.,LTD

302

B 301

301, Block B, Jinyuan Business Building, No. 302, Xixiang Avenue, Bao'an District, Shenzhen

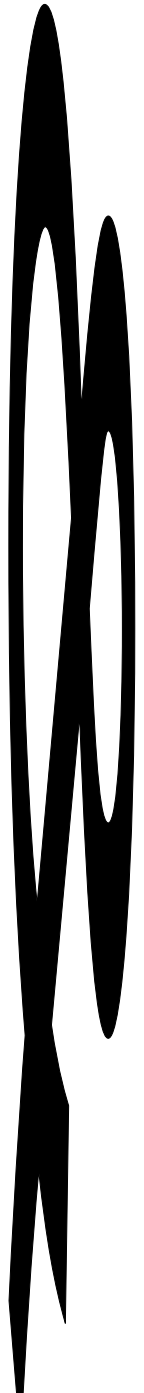
TEL :+86- 755- 29563634,13889916088

FAX : +86- 755- 27447020



Shenzhen Flourish Electronics Co., LTD

(C) D- C





Shenzhen Flourish Electronics Co., LTD

(C) D- C

Features



Test Condition

: -40 ~ 175

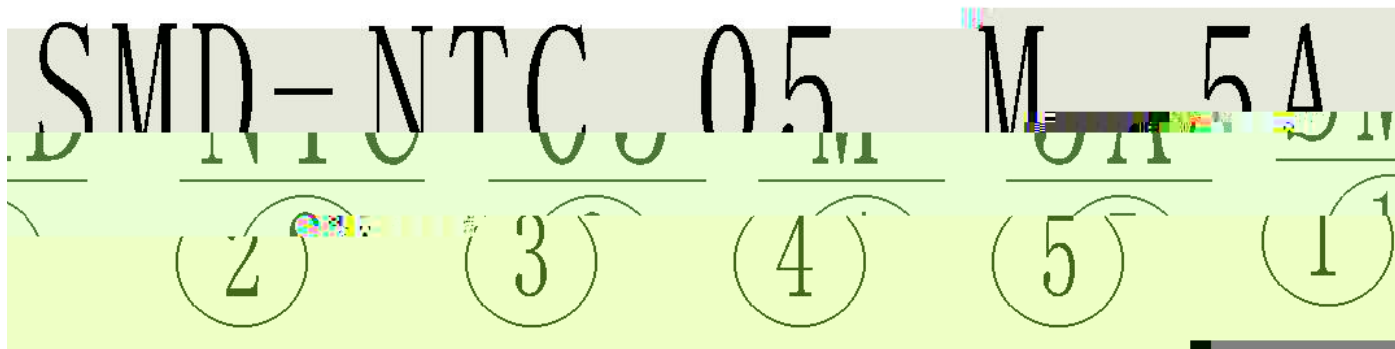
: -10 ~ 40



Shenzhen Flourish Electronics Co., LTD

(C) D- C

(Part No.Explain)



①		
②		
③		
④		±
⑤		



Shenzhen Flourish Electronics Co., LTD

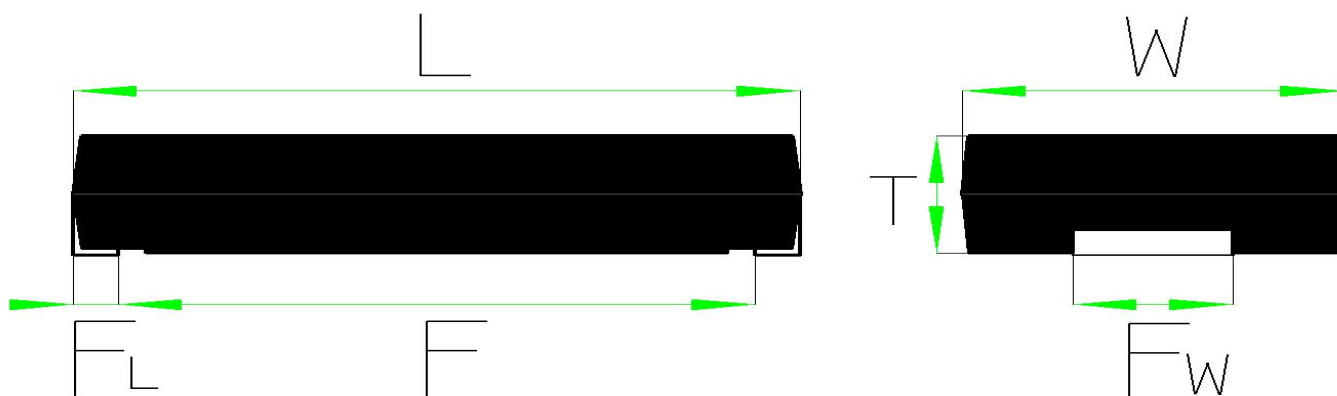
(C) D- C

(Specification details & dimensions)

2.1

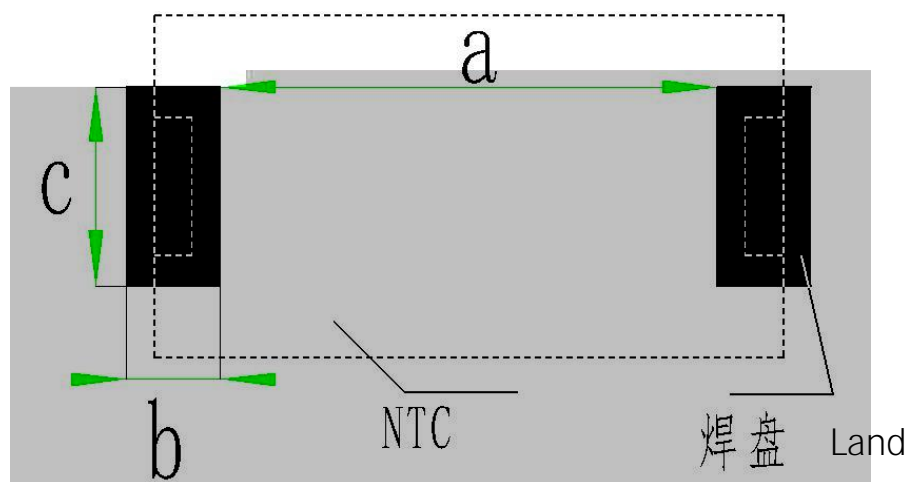
μ

2.2 : mm



	±	±	±	±	±	±

2.3 : mm



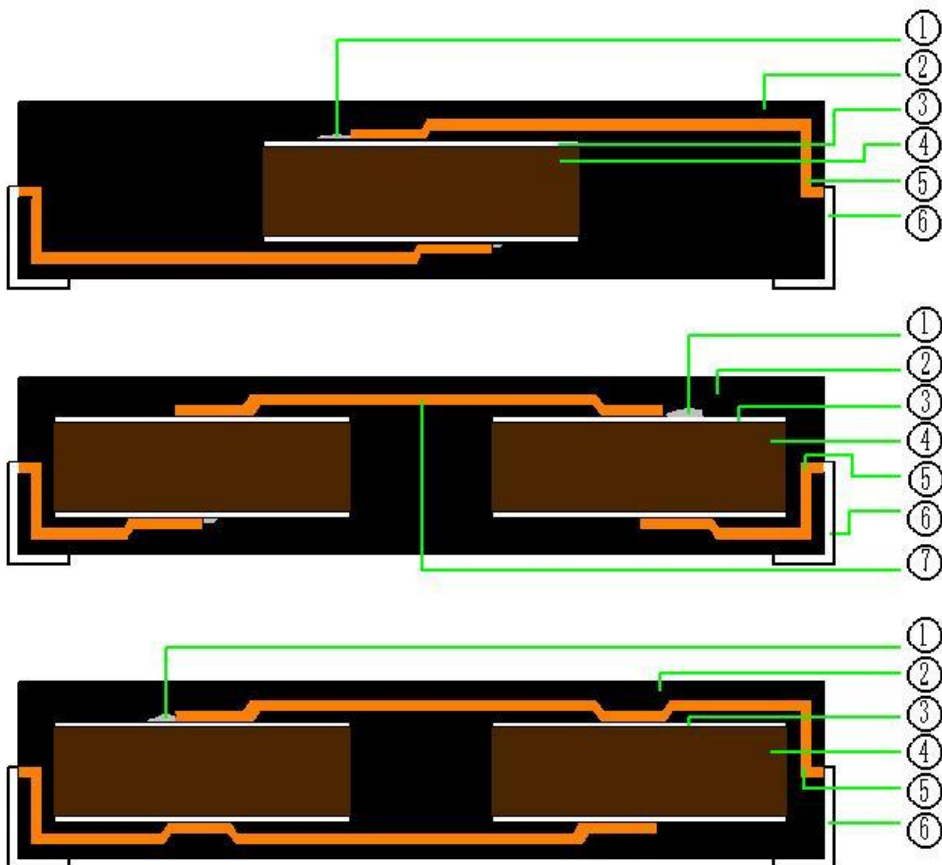
(Marking Explain)

Safety Certification:



Structure

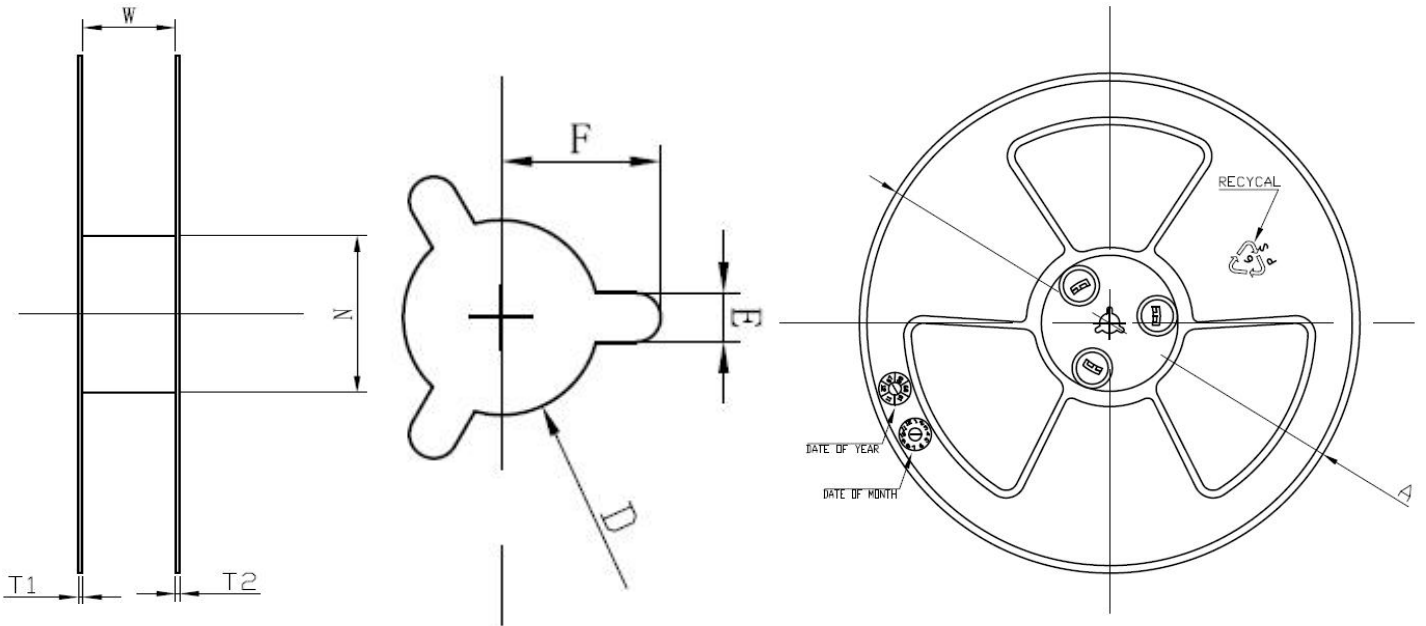
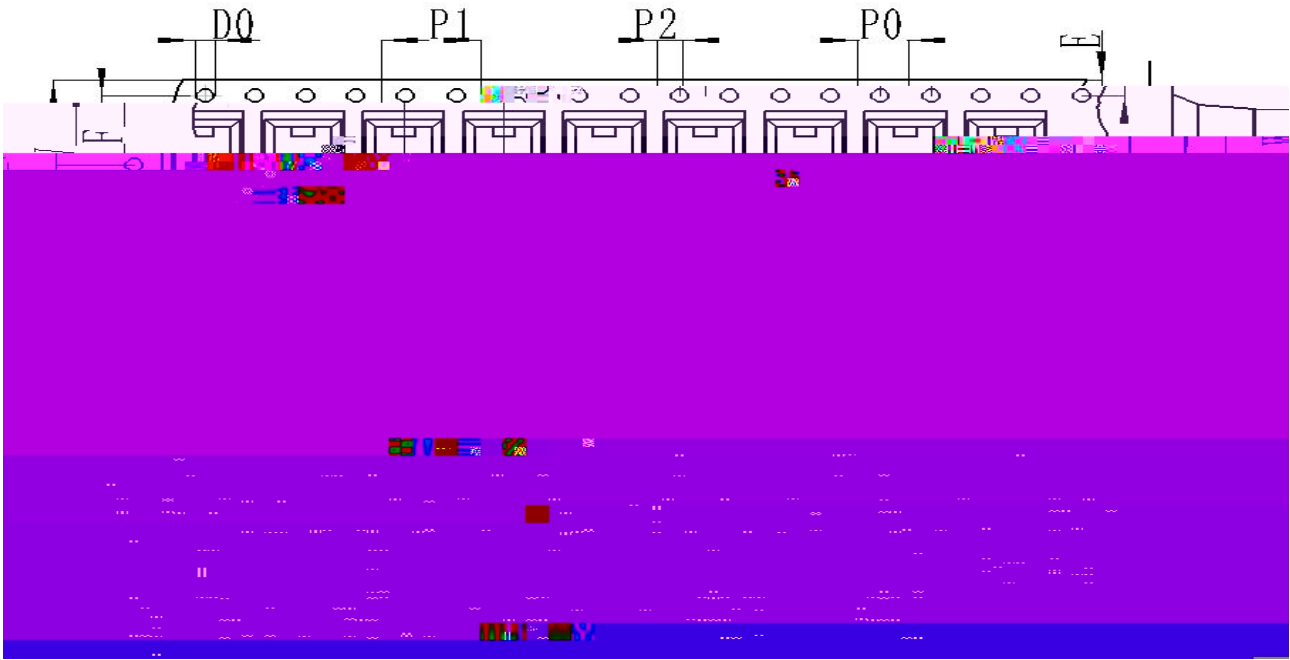
g ..



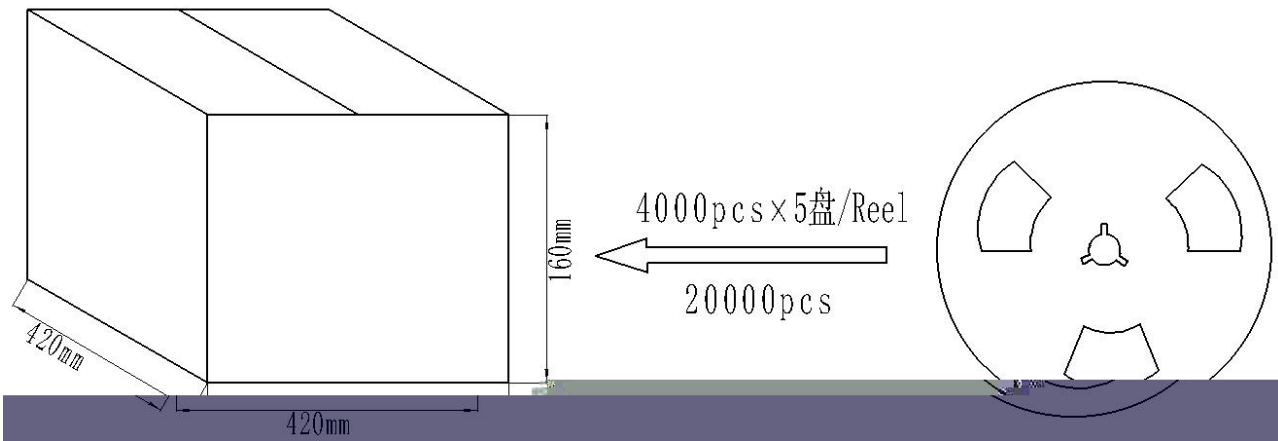
No.	Part name	Material	RoSH
1		Sn-Sb /Sn-Pb-Ag	RoSH
2		UL94V-0	
3		/	
4			
5			
6	SMD		

packing description

6.1



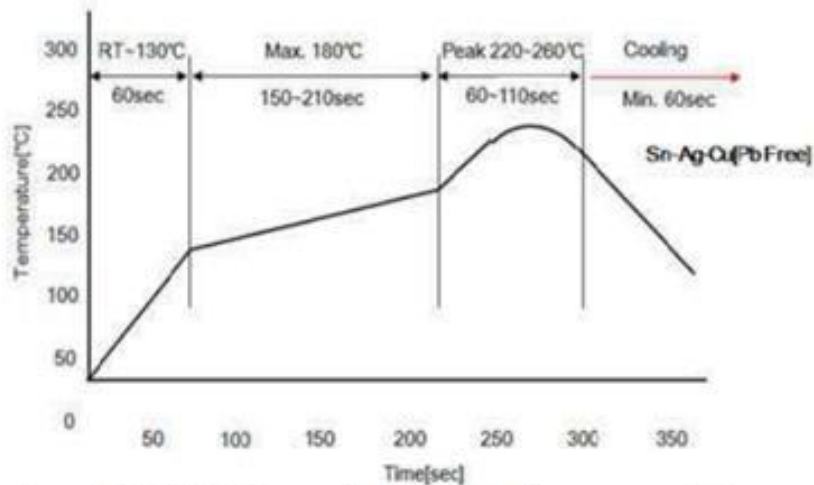
	±	±	±	±	±	±	±	±



Welding according to the instruction

7.1

☆ 回流焊接曲线



温区	温度范围 (°C)	时间 (sec)	备注
a	RT~130	60	焊锡: Sn-Ag-Cu 高温时间: < 10 sec
b	180 max	150~210	
c	220~260(260 max)	60~110	
d	220~RT	60 min	

当焊接温度低于锡的熔点时，贴片镀锡端子的可焊性将下降。使用之前请确认贴片镀锡电极的可焊性
焊接区出风口及内部空间最高温度不能超过 280°C



7.2.

NTC

!

! ()

NTC ;

MSL3

6

:10to30

:60%max.

168

HIC

6

HIC

60 *168hr.

()

Level	Bake@40C 5%RH	
	Saturated@30C/85%RH	At limit of Floor life+7 30C 80F-
	7days	67days

!

! ()

1

NTC

NTC

2

PCB/PWB

NTC

NTC

: 400C

: 50W

: 3.5



Shenzhen Flourish Electronics Co., LTD

(C) D- C

3

NTC

() /

4

(100C)

!

7.4

()
()

:

: 20W : 5

PCB/PWB